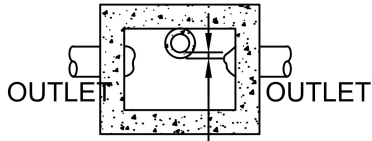
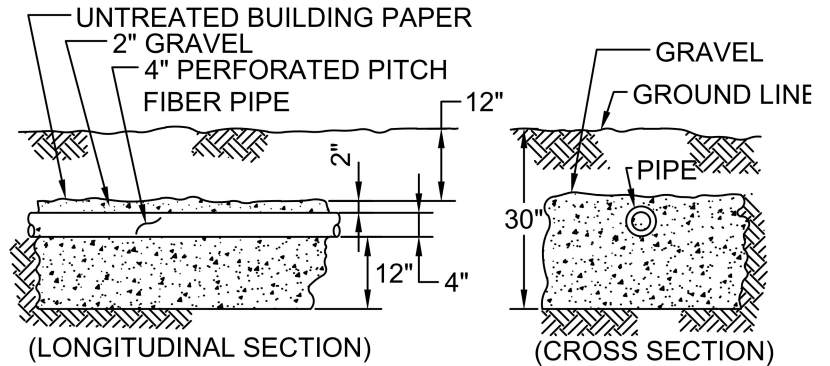


SET ALL OUTLETS  
AT THE SAME LEVEL

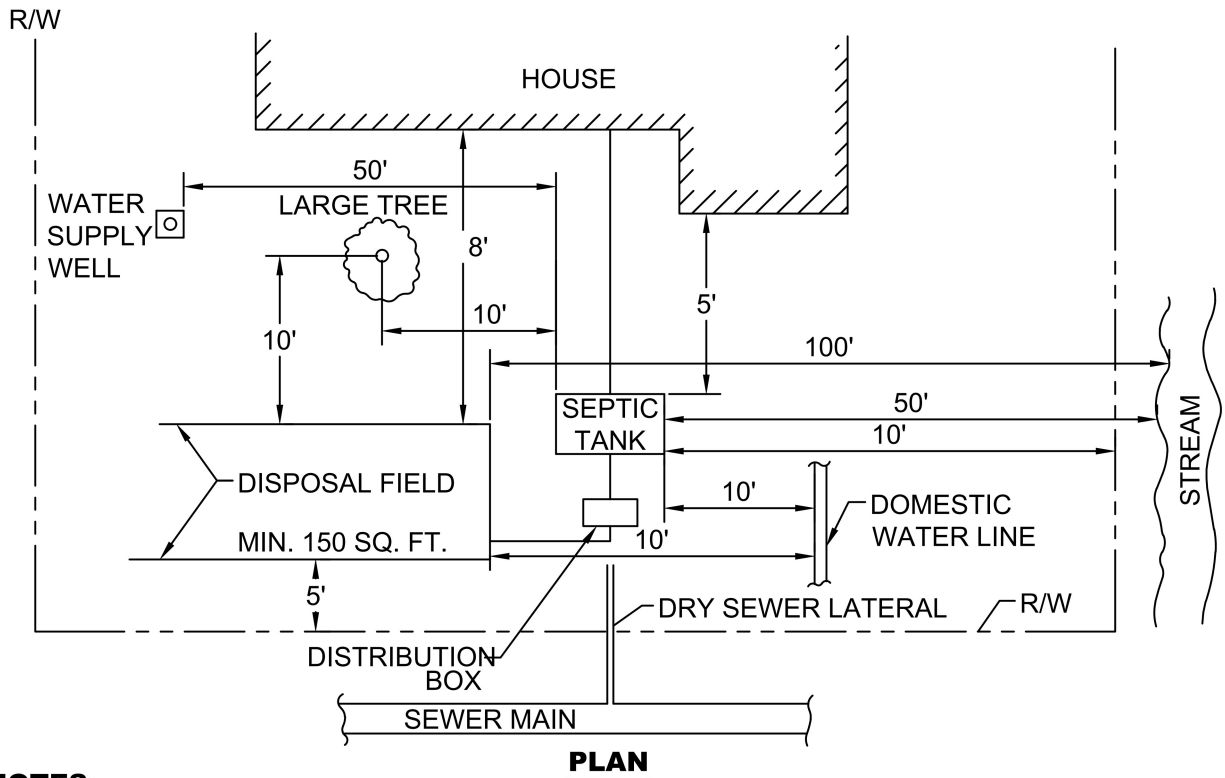


1" MIN. DIFFERENCE BETWEEN  
INLET AND OUTLET.

**DISTRIBUTION BOX**




**DRAINAGE TRENCH**



**NOTES:**

1. ALL DIMENSIONS ARE MINIMUMS.
2. THIS SKETCH IS INTENDED TO ILLUSTRATE DESIGN CRITERIA, NOT A SPECIFIC SEWAGE SYSTEM ARRANGEMENT.

	CITY of CHINO	
	ON-SITE WASTEWATER DISPOSAL	
(909) 334-3251	13220 Central Avenue, Chino, CA 91710	
Fax (909) 334-3729	7/01/2025	1 of 1